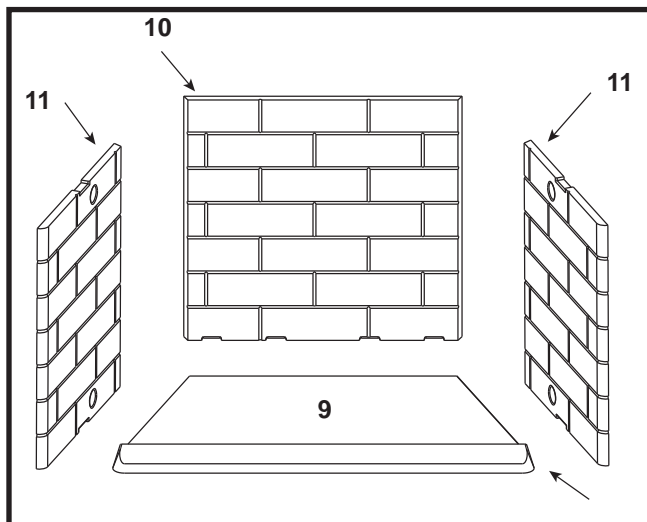
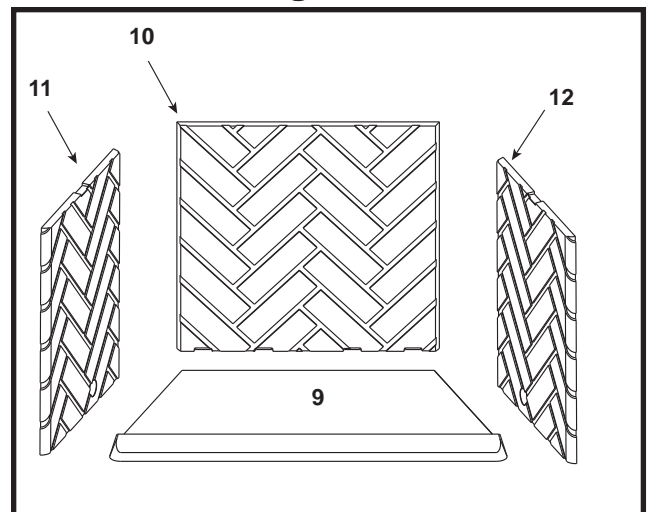


Traditional Brick Pattern



Herringbone Brick Pattern



Part number list on following page.

IMPORTANT: THIS IS DATED INFORMATION. When requesting service or replacement parts for your appliance please provide model number and serial number. All parts listed in this manual may be ordered from an authorized dealer.



**Stocked
at Depot**

ITEM	DESCRIPTION	COMMENTS	PART NUMBER	
1	Starter Section		22069B	Y
2	Top Standoff	Qty 4 req.	4044-111	
3	Drywall Flange		28388	
4	Upper Grille Assembly		29564	
5	Smoke Shield		35221	
6	Hearth Filler		30332	
7	Lower Grille Assembly		29563	
8	Grate		GR19	Y
	Grate Clip	Qty 2 req.	28062	
Traditional Refractory (A42C)				
9	Hearth Refractory	Pre Sn # #AK652474	28391	
		Post SN# #AK652474	4010-018	
10	Back Refractory	Pre Sn # #AK652474	28394	
		Post SN# #AK652474	4010-060	
11	Side Refractory (Left/right)	Pre SN# #AK652474	28393	
		Post SN# #AK652474	4010-058	
Herringbone Refractory (A42CH)				
9	Hearth Refractory		4010-018	
10	Back Refractory	Pre SN# #AK652474	4010-011	
		Post SN# #AK652474	4010-064	
11	Left Hand Refractory	Pre SN# #AK652474	4010-010	
		Post SN# #AK652474	4010-061	
12	Right Hand Refractory	Pre SN# #AK652474	4010-009	
		Post SN# #AK652474	4010-062	
	Damper Assembly		30528	
	Damper Weight		19785A	
	Damper Blade		30558	
	Door Pivot Clip	Qty 2 req.	31527	
	Firescreen Assembly	1 ea.	29246	Y
	Firescreen Handle	Qty 2 req.	4021-150	
	Firescreen Rod	Qty 2 req.	28404	Y
	Junction Box		21878	Y
	Junction Box Kit		JK9	
	Nailing Flange	Qty 4 req.	31190	
	Outside Air Kit		AK22	
	Refractory Retainer	Qty 3 req.	11847	
	Smoke Baffle (Right)		35329	
	Smoke Baffle (Left)		35330	
	Strip Protector	Qty 2 req.	18320	
	Upper Door Track		15427	
	Installation Instructions & Owner's Manual		28396	