



heatilator®
The first name in fireplaces

Accelerator

wood-burning fireplace

Accelerator wood-burning fireplace

Exceptional value and a choice of sizes and features

- Two firebox opening sizes (36" and 42") give more options and price selections
- Choice of heat circulating or radiant versions
- Substantial firebox depth (17-1/2") provides greater visual hearth area
- The circulating design allows for optional ceramic glass gasketed doors (GGD36/GGD42BK) for increased efficiency and they meet 2009 IRC codes
- Full-textured refractory lining in choice of herringbone or traditional pattern, finished in a dusky rose color
- A hearth extension is required
- SL300 Series venting
- Tested and listed to UL safety standards



Above: Accelerator shown with DM doors and traditional refractory.
Cover: Circulating Accelerator shown with gasketed doors and traditional refractory.

Door Options



DM Bi-Fold Doors

Meets 2009 IRC Code



Gasketed Doors
(for A36C & A42C units only)

Gas Log Options



Fireside Gas Logs

Refractory Options

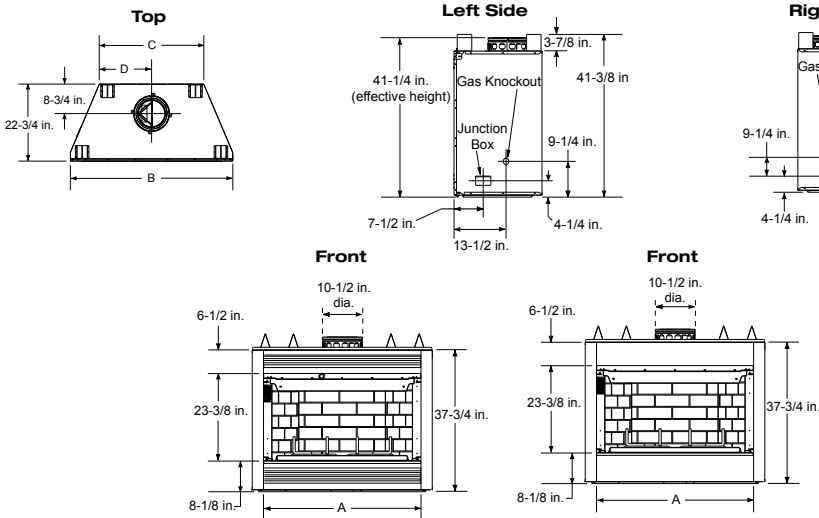


Herringbone

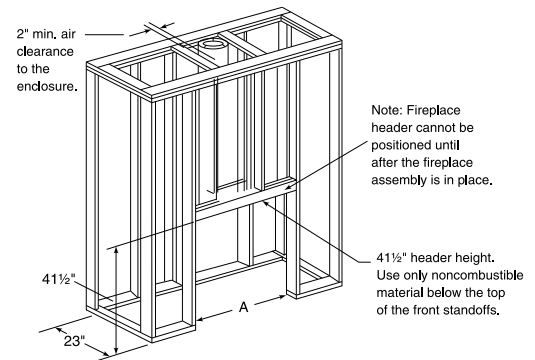


Traditional

Accelerator Dimensions



Framing Dimensions



MODEL	A	B	C	D
A36R/C	36	42	28-1/4	14-1/8
A42R/C	42	48	30-7/8	15-1/2

MODEL	A
A36R/C	43"
A42R/C	49"

Available From

heatilator
The first name in fireplaces

A brand of Hearth & Home Technologies Inc.
1915 W. Saunders Street, Mt. Pleasant, IA 52641
Web: heatilator.com
Phone: (800) 927-6481

The information provided in this literature is for planning purposes only and subject to change. Please consult the installation manual for actual installation. Actual product appearance may differ from product images.
*For full warranty details go to heatilator.com.

Limited Lifetime Warranty*

The strongest in the industry, Heatilator provides a limited lifetime warranty on the most important aspects: firebox and heat exchanger.



HTL-1022U-0510